



STUA

COSTURA SOFA

DESIGN JON GASCA



*“This is an homage to my grandmother,
she was a dressmaker that worked with Balenciaga.
When I was a kid, in her atelier,
she used to talk about fabrics and sewings details.”*

Jon Gasca, Costura designer



COSTURA SOFA COLLECTION

JON GASCA

*“I wanted to dress the slim frame
so it’s impeccably tailored
and amazingly comfortable.”*

STUA presenta la colección de sofás y butacas Costura. El nombre Costura hace referencia a la noble tradición de la sastrería a medida que ha guiado su proceso de diseño.

Una vez más, STUA sorprende con un diseño que remite a lo intemporal sin perder su espíritu innovador.

STUA presents Costura sofa and armchair system. Costura name refers to the noble tradition of tailoring that has guided the design process.

One more time, STUA delivers a surprising design that reflects the timelessness without losing its innovative spirit.

DETAILS OF COSTURA

DETALLES DE COSTURA

TELAS

STUA ofrece 18 telas con diferentes características según tus necesidades: ignífugas, de fácil limpieza, lavables a máquina, resistentes para instalaciones...



FABRICS

STUA offers a collection of 18 fabrics with different characteristics that meet all your needs: fire retardant, machine washable, easy-clean, contract quality...

CHAISELONGUE MÓVIL

La chaiselongue se puede cambiar de lado del sofá en cualquier momento.



MOVING CHAISELONGUE

The chaise can be attached to the right or left, and reconfigured whenever you wish.

DESENFUNDABLE

Toda la colección Costura es completamente desenfundable.



REMOVABLE COVERS

All the covers of the complete Costura collection are fully removable.

PATAS A TU ESTILO

Las patas se pueden instalar en recto o en ángulo, según se desee.



TWO POSITION LEGS

You can align the legs to be straight or diagonal. You can change them anytime.

COJINES ESTILO ALMOHADA

Cada asiento de Costura tiene dos cojines. El más grande es de foam y el más pequeño y blando está relleno de pluma natural.



PILLOW STYLE CUSHIONS

Each seat has two cushions with a pillow look. The large one is made of foam & the smaller one is a natural feather down pillow.

ESTRUCTURA FINA

El interior del sofá está realizado en madera moldeada. Esta fina y fuerte estructura permite ahorrar espacio.



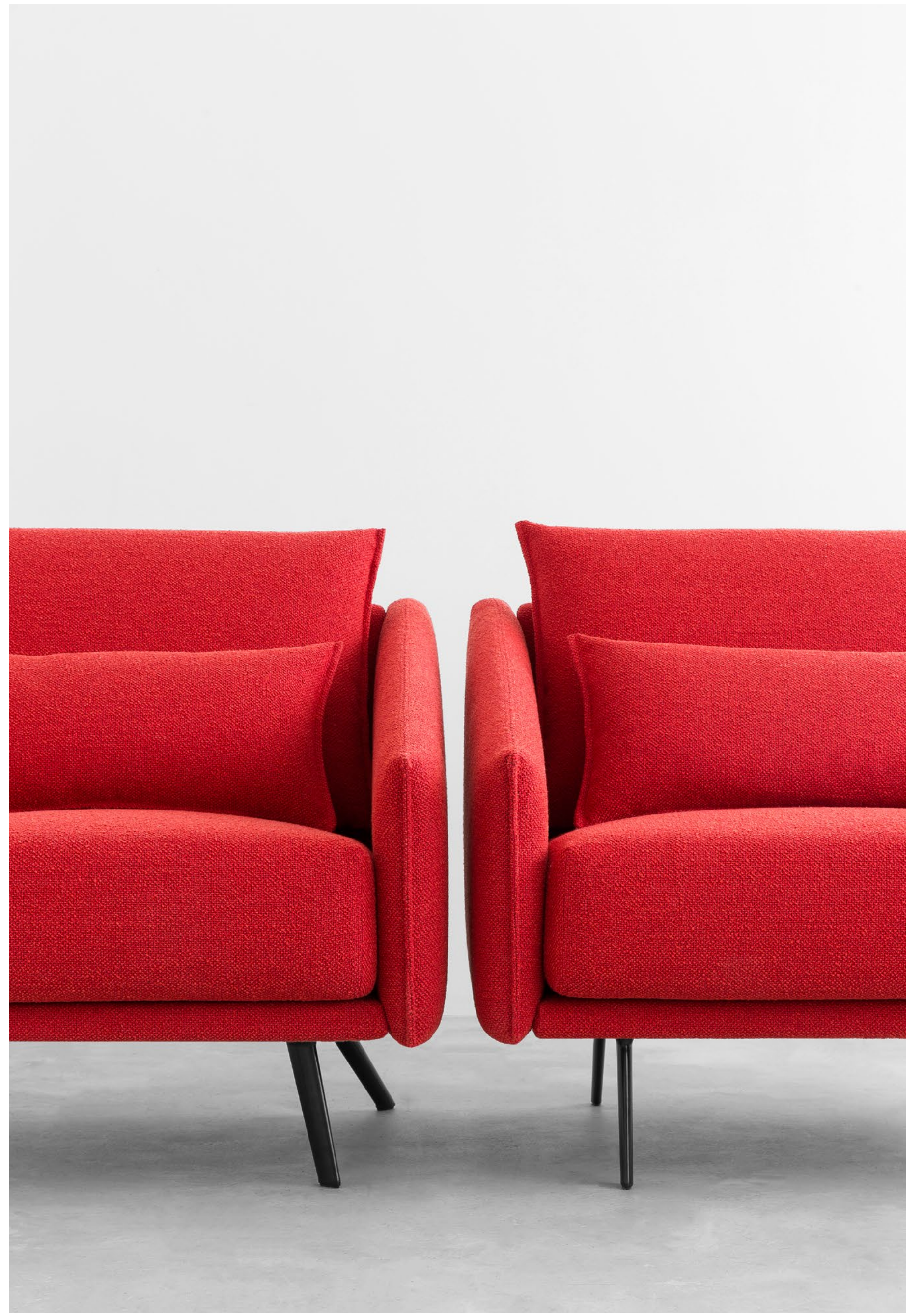
THIN FRAME

The frame of the sofa is made of thin gently bent plywood. A strong and elegant solution that saves a lot of space.



COSTURA ARMCHAIR











COSTURA SOFA







COSTURA CHAISELONGUE









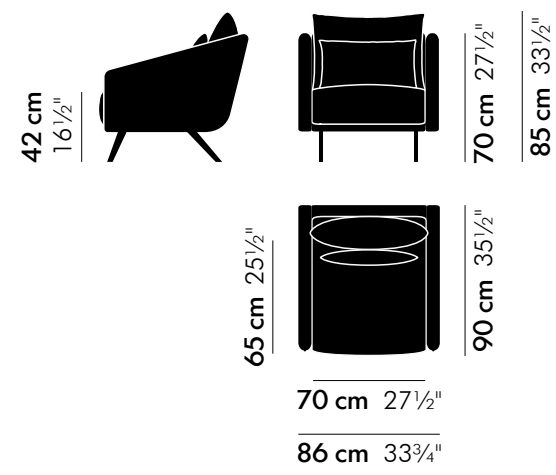
COSTURA OTTOMAN



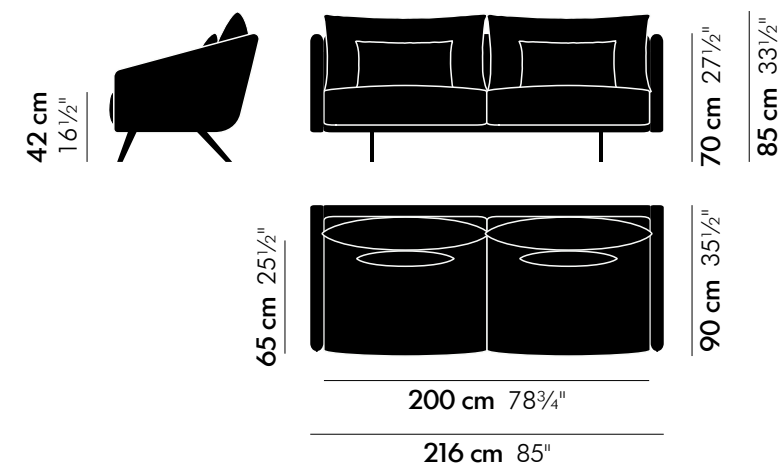
COSTURA DIMENSIONS

DIMENSIONES DE COSTURA

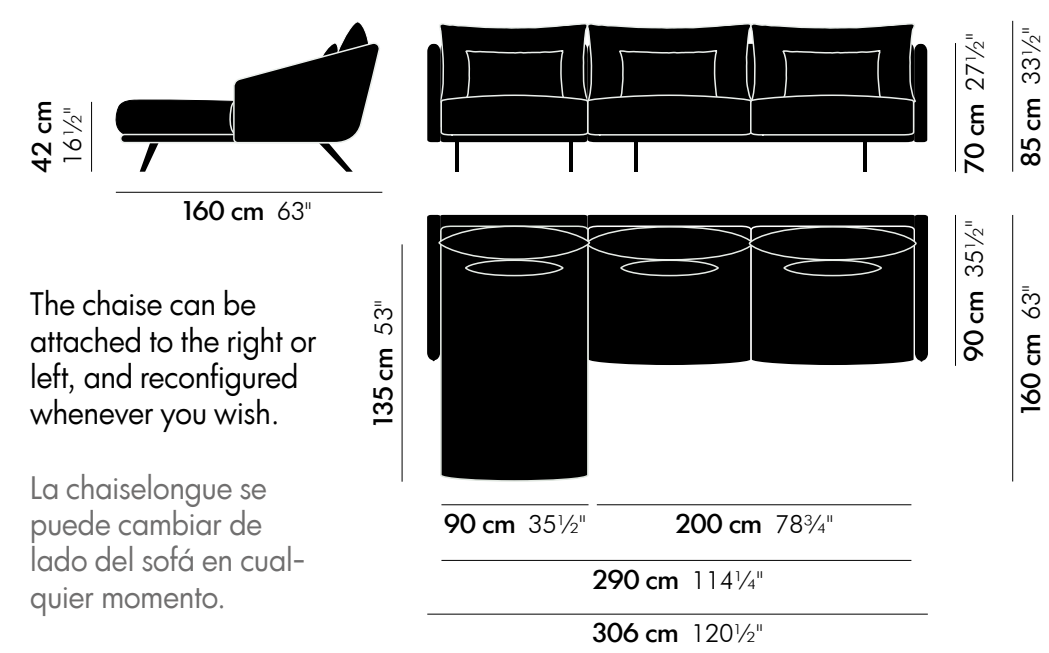
ARMCHAIR / BUTACA



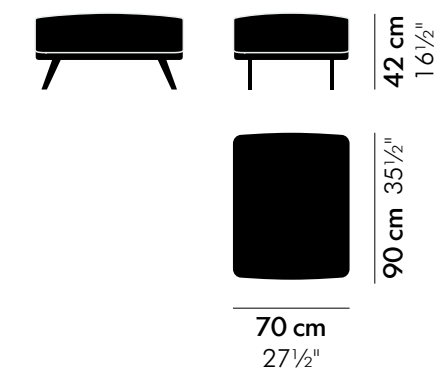
SOFA



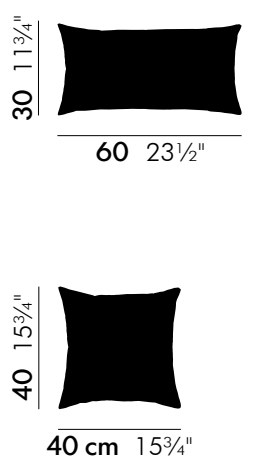
SOFA + CHAISELONGUE



OTTOMAN



CUSHIONS

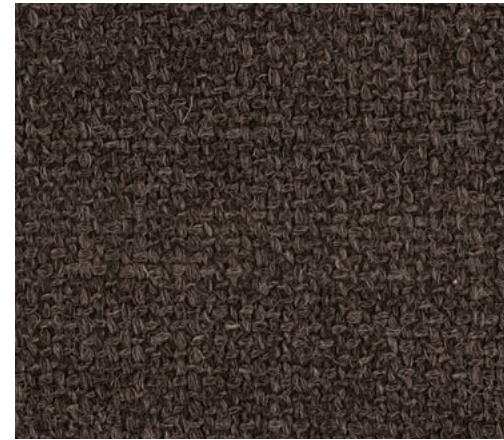


COSTURA FABRICS

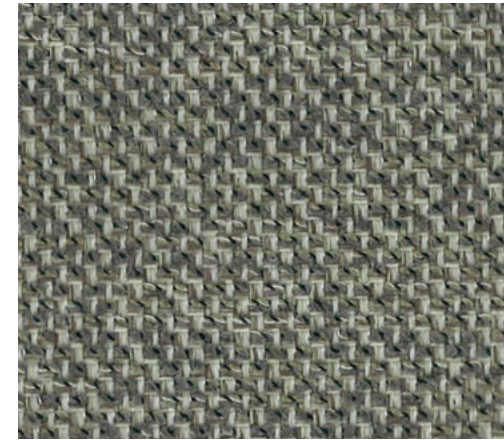
TELAS DE COSTURA



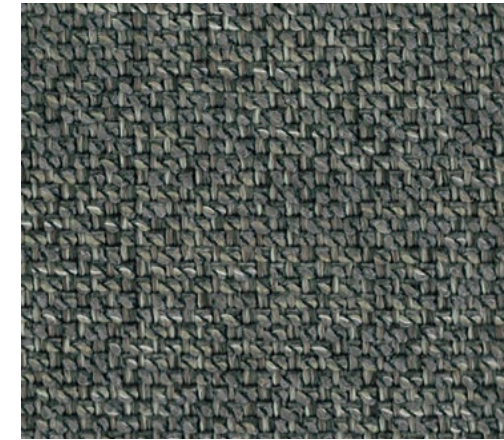
Airone 410 - Highlight fabric
STUA code: FIA410



Airone 710 - Basic Group
STUA code: FIA710



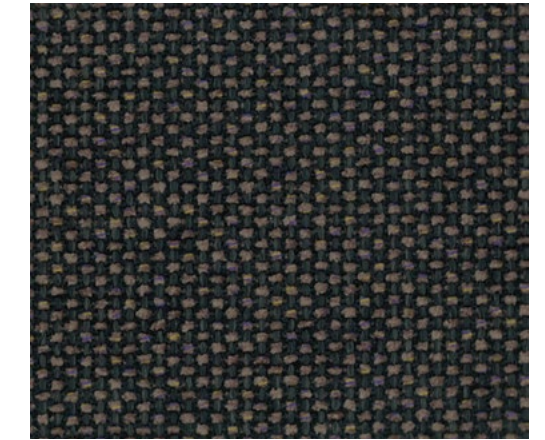
Nomad 12 - Basic Group
STUA code: FCN012



Nomad 52 - Basic Group
STUA code: FCN052



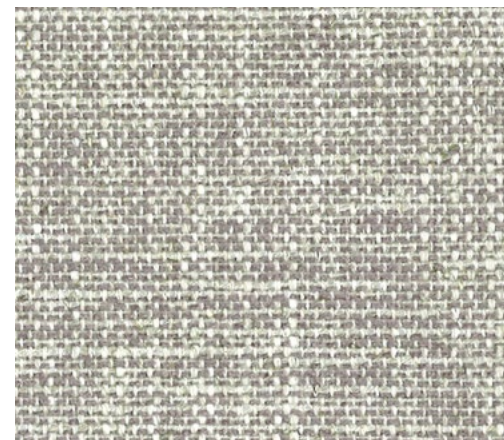
Gaudí 05 - Basic Group
STUA code: FCG005



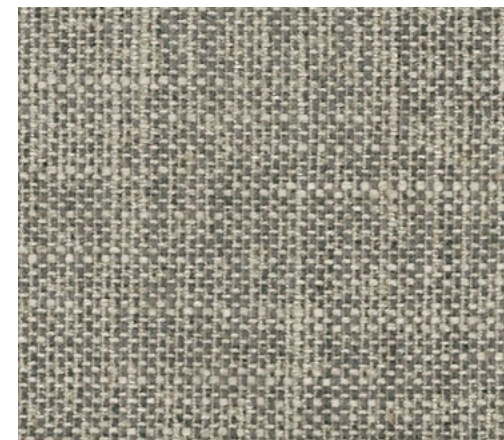
Tweed 59 - Basic Group
STUA code: FCT059



Duo 55 - Basic Group
STUA code: FCD055



Acker 1/5 - Fabric Group 1
STUA code: FMA015



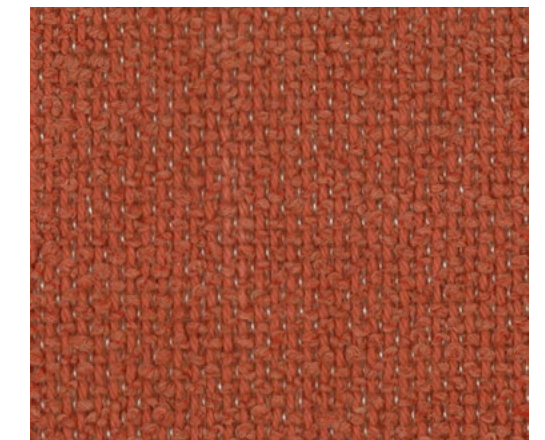
Acker 5/4 - Fabric Group 1
STUA code: FMA054



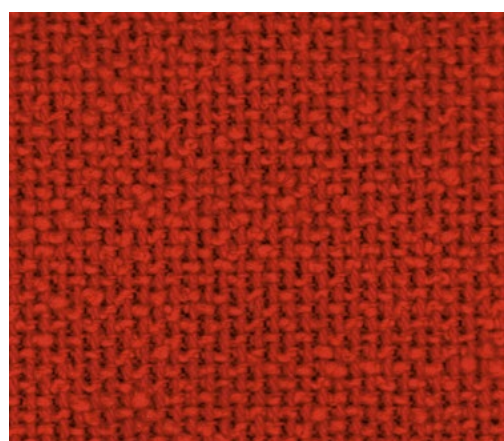
Acker 06 - Fabric Group 1
STUA code: FMA006



Goteborg 103 - Fabric Group 1
STUA code: FMG103



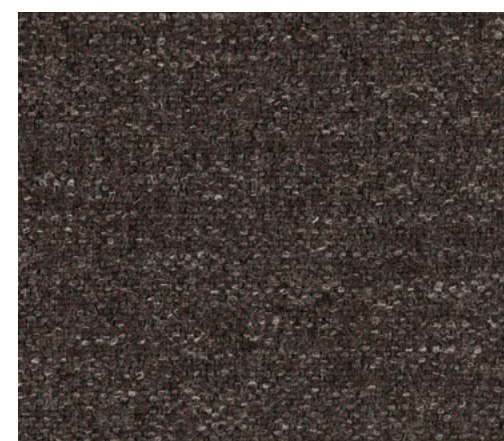
Goteborg 510 - Fabric Group 1
STUA code: FMG510



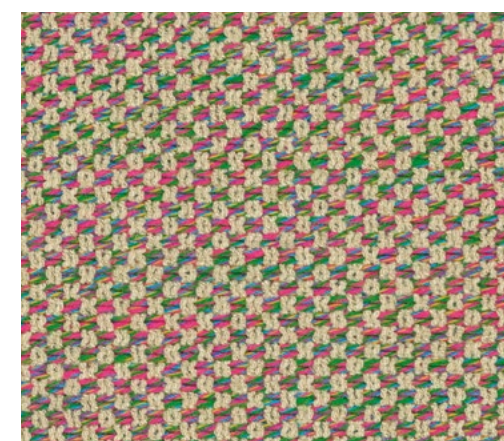
Goteborg 140 - Fabric Group 1
STUA code: FMG140



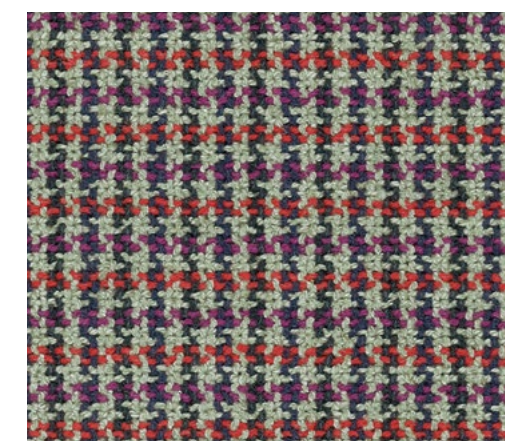
Ducale 8/32 - Fabric Group 2
STUA code: FMD832



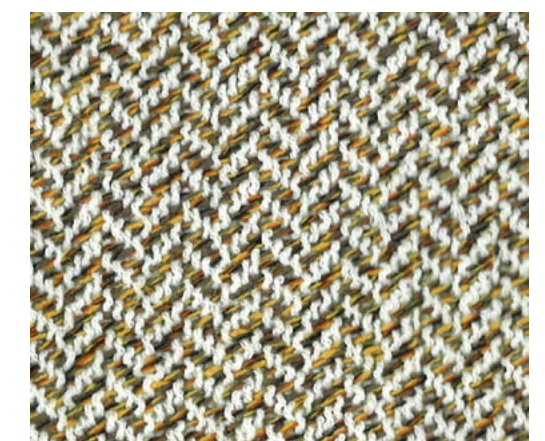
Ducale 9/11 - Fabric Group 2
STUA code: FMD911



Damie 429022 - Fabric Group 2
STUA code: FTD022



Trio 423001 - Fabric Group 2
STUA code: FTT001



Linari 443004 - Fabric Group 2
STUA code: FTL004

STUA

STAHL HOUSE | LOS ANGELES

WWW.STUA.COM